

Instruction Manual

Thank you for choosing Richell's Convertible Elite Pet Gate. Please read this instruction manual carefully before using this product, and keep for future reference. If you give this product to someone else, please also give this instruction manual. Please note some parts of the figures shown below may be slightly different from the actual product, for your better understanding of the structure and proper use.

Features

- This product is designed exclusively for dogs.
- This product is designed for use as a Pet Gate, Pet Pen, and Room Divider.
- Door automatically locks after closing.
- Wooden frame blends beautifully with most home interiors.
- Rubber skids keep product in place and prevent shifting to avoid floor damage.

What are the following signs?

The following signs are special remarks for safety use of the product. Keep these remarks in mind before using this product.

Warnings! : Remarks on inappropriate use which might cause death, serious injury and/or physical damage.

Cautions! : Remarks on inappropriate use which might cause slight injury and/or physical damage.

Important! : Remarks on inappropriate use which might cause trouble, damage and/or shorter life to product.

Instruction for Proper Use

Warnings!

< Common Warnings >

- This product cannot completely prevent pets from passing through. Do not place this product in a location where passage through could lead to danger.
- Do not use this product for any purpose other than its intended use.
- Keep this product in sight and keep the Door open when unattended to avoid unexpected injury or death to your pet; pets behave unexpectedly when startled by thunder, lighting, or by other animals.
- Make sure door is locked securely to avoid unexpected injury.
- Make sure each part is properly assembled before using this product. Pay close attention to new-born pups or tiny dogs to avoid serious injury to pets and/or damage to product. Small pets may get caught between the wire and wooden frame.
- Only use genuine parts and do not alter the product to avoid accidents and/or injury to self, pets, or others.
- Keep this product away from all heat sources at all times to avoid unexpected product damage or burn-related injuries to persons/pets.
- Do not use this product while your pet is leashed to avoid unexpected accidents/injuries, such as dog entanglement.
- Do not lean or sit on this product to avoid unexpected personal accidents and/or product damage.
- Make sure to use this product on flat, solid floor surface.
- If you notice anything wrong with this product or installation site, discontinue its use at once.

<Mainly Warning while this product been used as pet gate>

- Be careful not to stumble on bottom of door frame.
- Do not use this product at the top of the staircase or near a glass door. Pet owners should be very cautious about whether their place is appropriate for using this product.
- Do not step over this product to avoid falling and serious injury.
- Place this product in an open space to avoid possible collapse caused by pets or others that may result in injury to self, pets, and/or others.

Cautions!

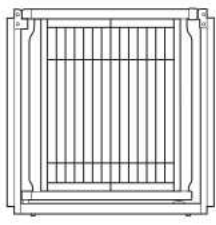
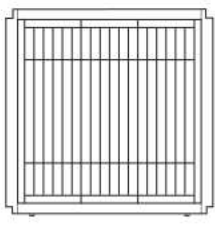



- Pay attention to sharp edges and corners while assembling this product to avoid personal injury.
- Make sure the door is locked properly (Lock is positioned at top/bottom of Door), to keep your pets safely confined and to avoid unexpected injury and/or escape.
- When opening/closing the Door, be careful not to pinch your hands, fingers, or pets.
- Do not drop or misuse this product to avoid damage.
- Be careful not to pinch your hands or fingers while assembling this product.

Important!

- This product is designed for indoor use only. Do not use it outdoors.
- Do not force the Door to open wider than it is intentionally designed as this may cause damage/separation from the wooden frame.

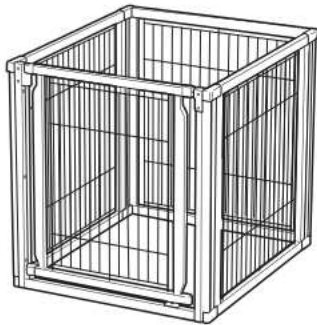
Parts

Before assembling this product, make sure the following parts are included:

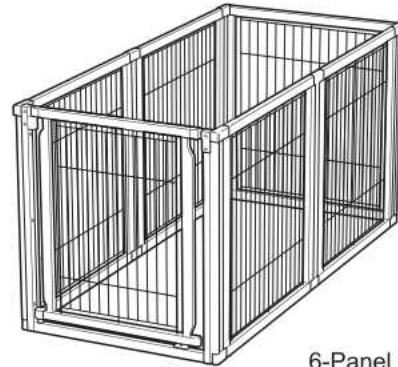
Part Name					
4-Panel Set includes	Door Panel (1)	Side Panel (3)	Coupling Rod (4)	Cap (4)	Holepin (8)
6-Panel Set includes	Door Panel (1)	Side Panel (5)	Coupling Rod (6)	Cap (6)	Holepin (12)

Examples of Product Configurations

Pet Pen

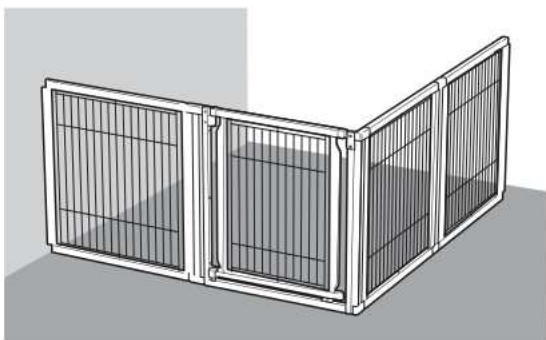


4-Panel Pet Pen

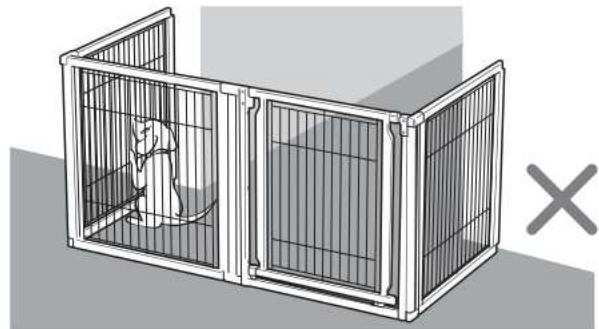


6-Panel Pet Pen

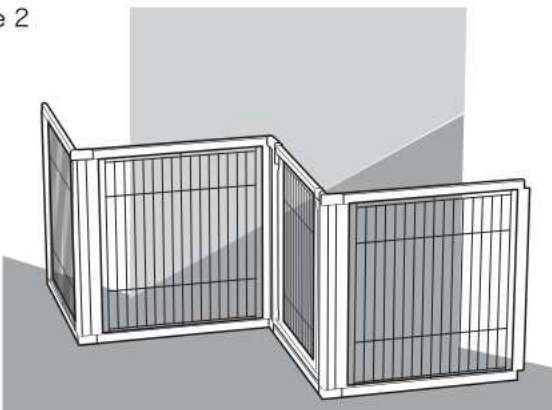
Corner Divider



Gate 1



Gate 2



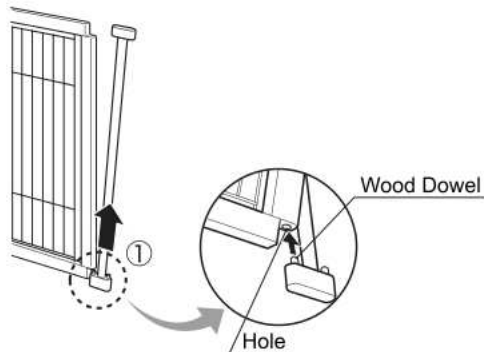
Warnings!

- When using this product as a U-shaped gate, confine your pet on the side as shown in the figure above. Never confine your pet on the other side of the gate; this is to avoid the gate tipping over and causing possible injury to your pet.

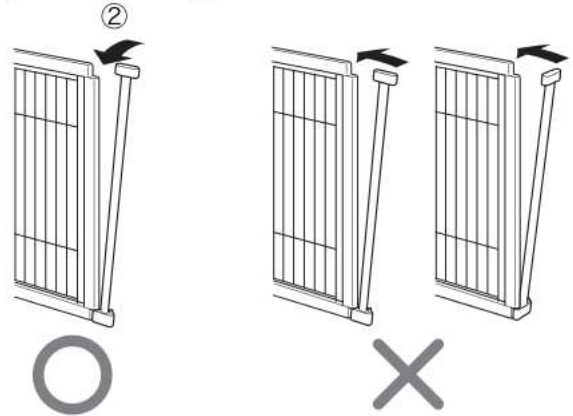
How to assemble

1. Attach Panels

① Locate the hole on the bottom of the Panel and insert the Wood Dowel on the Coupling Rod in the direction as shown.

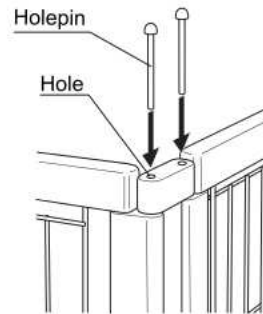


② Attach the top of the Coupling Rod to the Panel as shown. (After inserting Wood Dowel, do not force the Coupling Rod by twisting/turning).



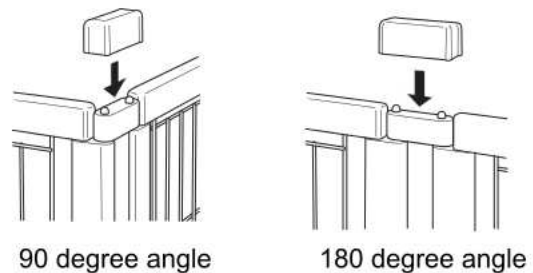
2. Insert Holepins

Insert 2 Holepins in to the holes on top of the Coupling Rods as shown.



3. Insert Caps

After selecting your desired configuration, insert Caps as shown. Check to make sure each Cap is in position.

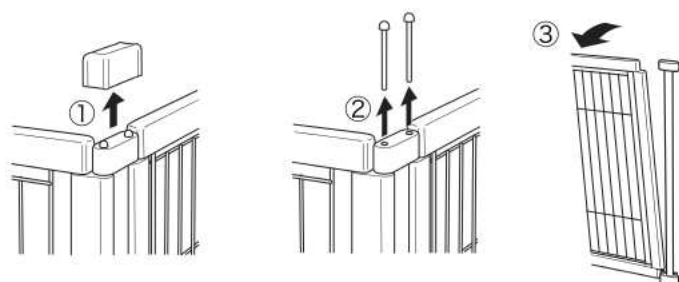


Cautions!

- Caps can only be inserted at 90 or 180 degree angles.
- There will be a small gap between Panel and Cap.

How to disassemble

- ① Remove Caps
- ② Remove Holepins as shown
- ③ Slide Panel forward to separate from Coupling Rod as shown. (Do not force by pulling or twisting Coupling Rod.)

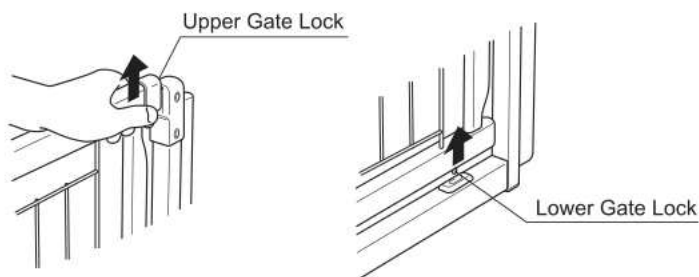


Cautions!

- Take care that product does not collapse while disassembling.
- Leave Door locked when assembling Door Panel.

How to open and close the Gate Door

- Grip and lift the Upper Gate Lock so that the Gate Door is opened by releasing Upper and Lower Gate Locks.
- The product is designed to lock automatically when closed. If too much or too little force is used when closing, the Gate Door may not lock.



How to clean

- To clean, use mild detergent and water with soft cloth/sponge.
- Do not use harsh chemicals such as benzene or thinner.
- Cleaning this product with harsh abrasives or scrubbing brush may cause surface scratches.
- Follow the manufacturer's cleaning instructions if using cresol or other antiseptics.
- After cleaning, wipe dry with soft cloth or place in shaded area to air dry; do not place product in direct sunlight.

Specifications

Product Name		Convertible Elite Pet Gate (4 Panels)	Convertible Elite Pet Gate (6 Panels)
Dimension of Gate		31.9"W x 36.0"D x 31.5"H	31.9"W x 68.9"D x 31.5"H
Materials	Wooden Part	Rubber wood (Lacquer finish)	
	Metal Part	Steel (Polyester coating)	
	Resin Part	Polypropylene	
	Cap	Nylon	
	Rubber Part	Elastomer	
Appropriate pet weight		Small to medium dogs	8.8 - 40 lbs

Please note that product specifications and design may change without prior notice for the purpose of quality improvement.

There may be coating cracks at some joints and each product may experience different coloration of the wood grain as frames are made of natural wood.

If you find something wrong with this product, please let us know, thank you!

Designed by:
Richell Corporation, Japan

Distributed by:
Richell USA Inc.
2100 N. Hwy. 360, Suite 1700, Grand Prairie, TX 75050
Phone (972) 641-9795 Fax (972) 641-8495
Visit us at www.richellusa.com
Made in China