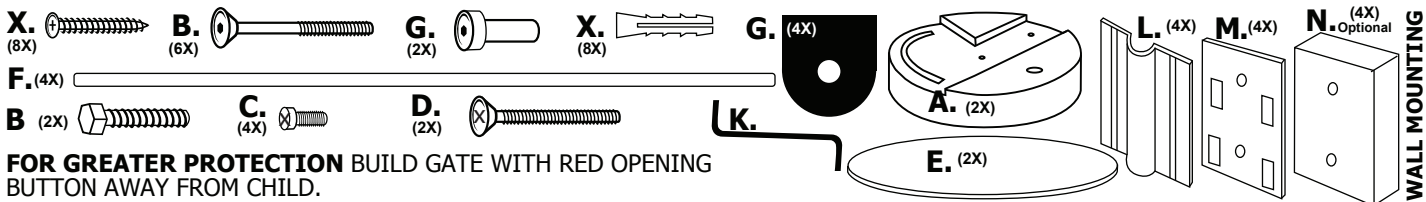


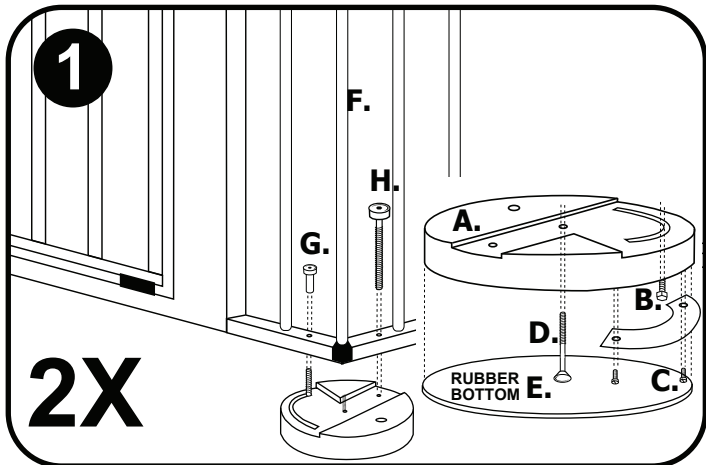
# VERSAGATE (Model VG-65)

FOR DOOR AND STAIRWELL SAFETY, ROOM DIVIDER, RETAINING GATE, OR PLAYPEN ENCLOSURE.

## ASSEMBLY INSTRUCTIONS

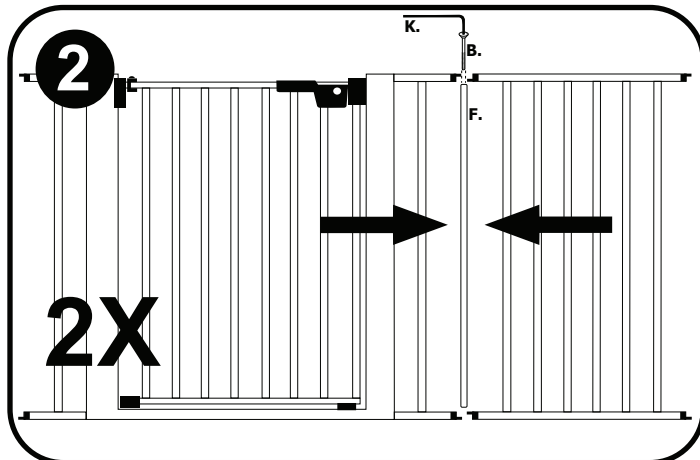


**FOR GREATER PROTECTION BUILD GATE WITH RED OPENING BUTTON AWAY FROM CHILD.**

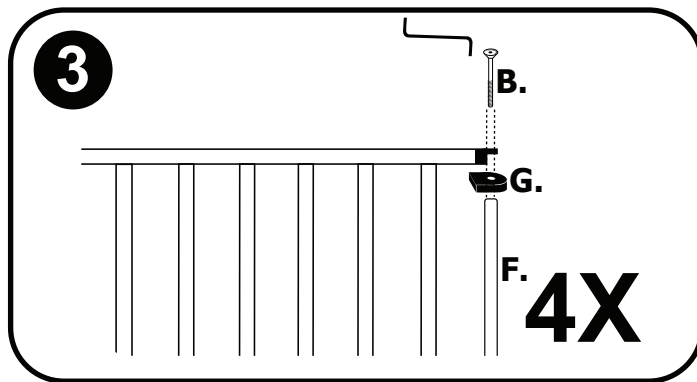


Assemble feet first.  
Thread bolt B through crescent shape threads up  
Cover opening with crescent plate with screws C  
Thread bolt D through middle of foot  
Cover foot assembly with rubber bottom E

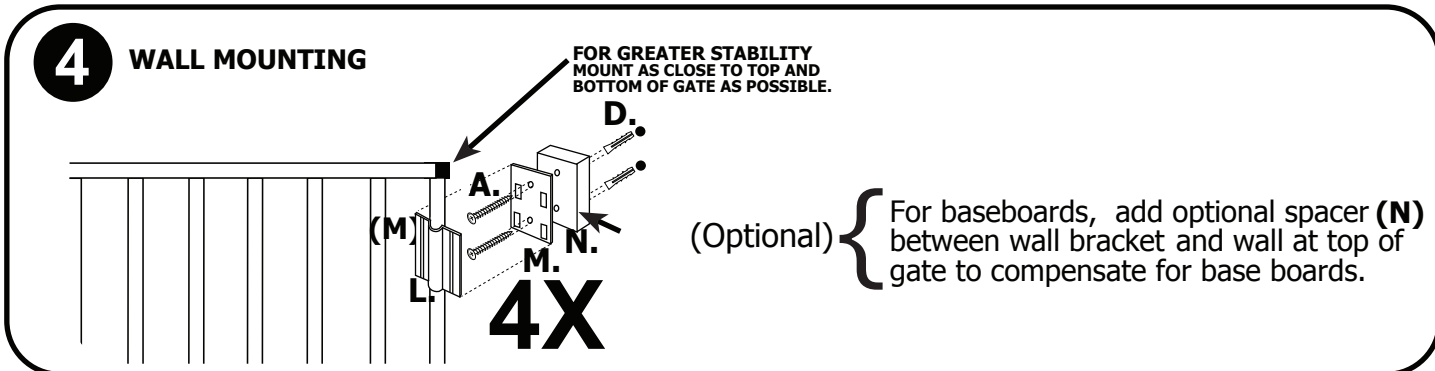
Connect Extension to gate  
Place gate together with extension (holes in gate and extension should be on bottom)  
Thread rod F into screw D  
Secure foot to gate with screw cap G into screw B  
Secure extension to foot with screw H



Secure upper part of rod F to gate using screw B

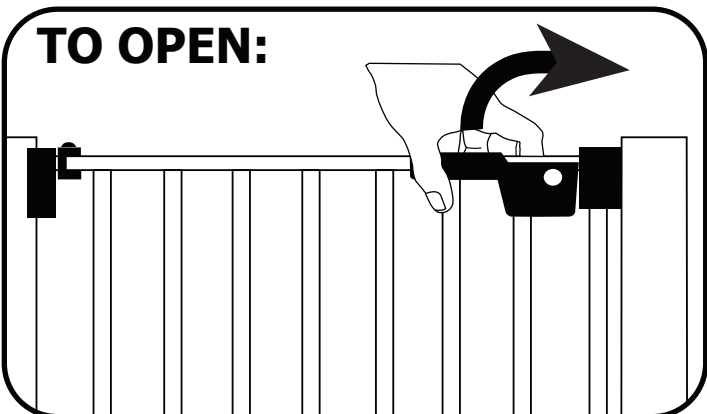


3. Attach end rods **F** to ends of extensions and add end caps **(E)** with long bolt **(B)**. Repeat at each corner of extensions.

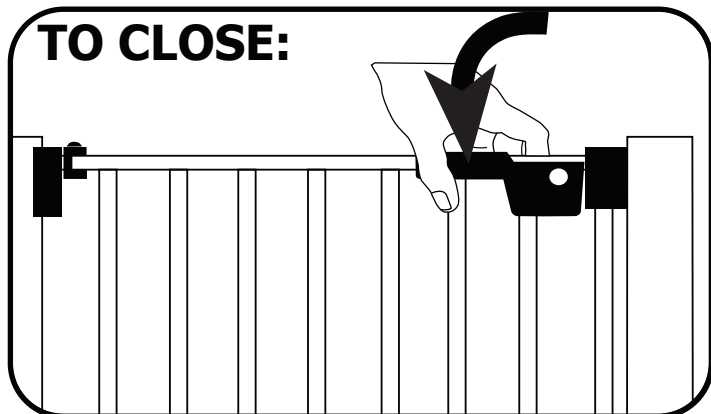


5. Insert screw anchor, if necessary, and attach wall bracket **(M)** with screw **(A)**. Attach gate to wall with removable **(L)** clip (until a click sound is heard).

## GATE OPERATION



Push red safety button and lift handle 90° upwards. Pull gate to open.



Close gate and lower handle back to original position. Gate will click when locked.