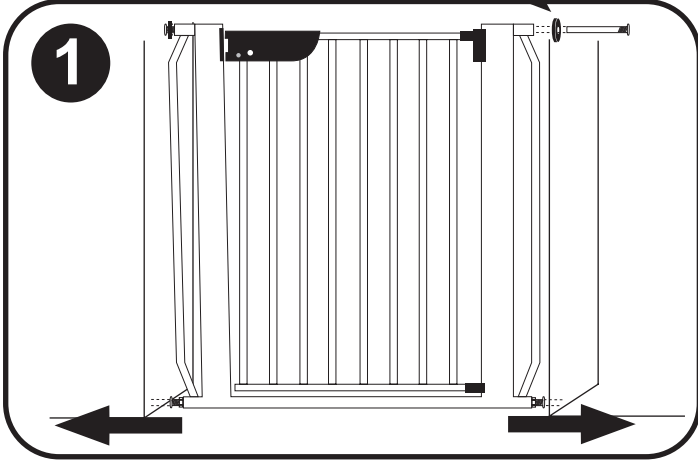
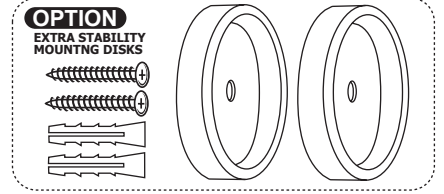


# AUTOLOCK PRESSURE GATE - MODEL PG-35

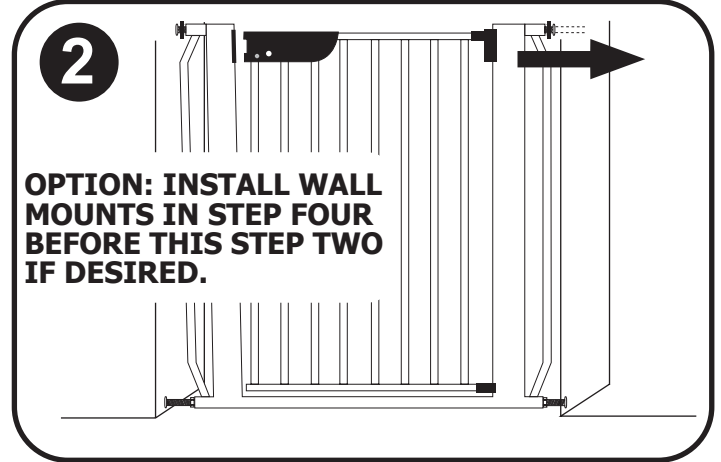
FOR OPENINGS 29" X 33 1/4" (74cm - 85cm)

## ASSEMBLY INSTRUCTIONS

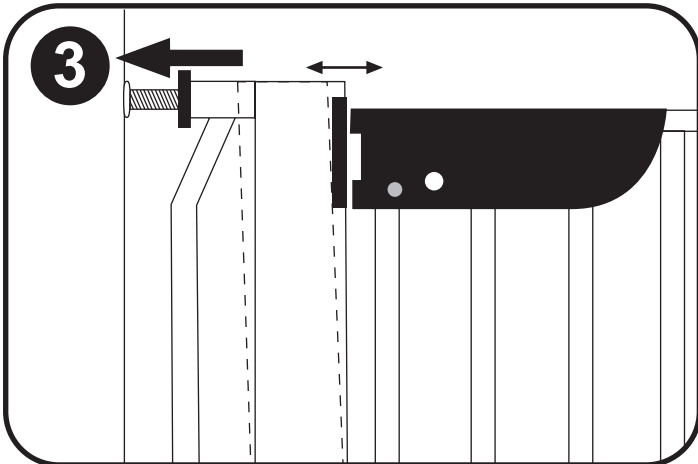
THIS GATE IS NOT RECOMMENDED FOR TOP OF STAIRWAY USE.



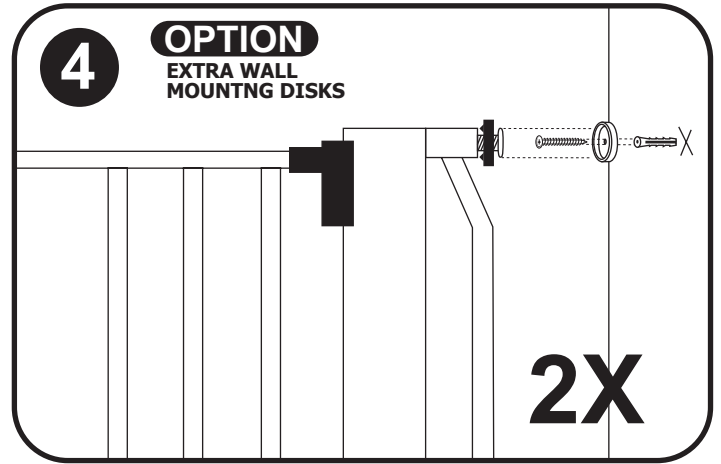
1. Extend both bottom extension rods to wall centering gate in opening, expanding no more than 2 1/4" (6 cm). Tighten in place with wrench.



2. Extend top hinge-side extension rods to match the same distance as the bottom expansion rods on that side. Tighten black washers (A) to secure.



3. Extend latch side top expansion rods to close gap until gate securely engages with latch.

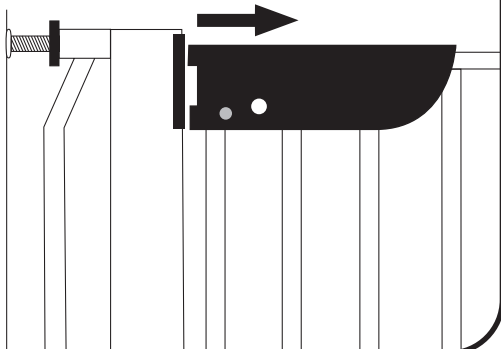


4. For a more secure gate, install wall mounts to seat top expansion rods.

## GATE OPERATION

### FOR OPENING:

Press red button and slide latch toward hinge side of gate.



### FOR CLOSING:

Push gate closed. Lock engages.

**! WARNING:** TO PREVENT SERIOUS INJURY OR DEATH, SECURELY INSTALL GATE OR ENCLOSURE AND USE ACCORDING TO MANUFACTURER'S INSTRUCTIONS. NEVER USE WITH A CHILD ABLE TO CLIMB OVER OR DISLodge/OPEN THE GATE ENCLOSURE. NEVER LEAVE CHILD UNATTENDED. USE ONLY WITH THE LOCKING/LATCHING MECHANISM SECURELY ENGAGED. INTENDED FOR USE WITH CHILDREN FROM 6 MONTHS - 24 MONTHS. THIS PRODUCT WILL NOT PREVENT ALL ACCIDENTS. TO PREVENT FALLS, NEVER USE AT TOP OF STAIRS.

**! MISE EN GARDE:** INSTALLER CONFORMÉMENT AUX INSTRUCTIONS DU FABRICANT. DESTINE AUX ENFANTS DE 6 À 24 MOIS. CET ARTICLE NE PRÉVIENT PAS NÉCESSAIREMENT TOUS LES ACCIDENTS. NE JAMAIS LAISSER L'ENFANT SANS SURVEILLANCE.

# GATE MAINTENANCE

To clean, rinse with lukewarm water, wash gently with mild soap or detergent and lukewarm water, using a soft cloth or sponge. Rinse again. Dry with a soft cloth or sponge to prevent water spotting. DO NOT SCRUB or use brushes or squeegees.

# GATE CARE & REMINDERS

Our gates are built to last many years with proper use and care. Here are a few suggestions...

- Close gates gently - do not slam - to prevent damage to latch mechanism.
- When closing, be sure safety bracket on gate frame engages as depicted in instructions.
- For safety, always close gate when not in use. Children should not be allowed to swing on an open gate as this can damage hinge mount.
- Periodically check all screws, bolts, etc. for security and proper adjustment.

**CARDINAL GATES, INC.**, offers many accessories such as extensions, stair kits, and other safety products. Check with your dealer or call **CARDINAL GATES, INC.** at 1-800-318-3380.

We sincerely hope that you thoroughly enjoy many years of service from your **CARDINAL GATE**.

# GATE WARRANTY

Your Cardinal Gate is warranted to be free of manufacturing defects for a period of one year from the date of purchase when used in homes, and according to manufacturers instructions. When used commercially, such as day care centers, the warranty is 90 days.

Cardinal Gates, Inc. will either repair or replace, at our option, any parts necessary to correct defects in material or workmanship during the warranty period. The warranty disclaims liability for incidental, special and consequential damages of any nature.

## **TO EXERCISE WARRANTY:**

Ship your gate in a protective carton, freight prepaid to:  
CARDINAL GATES, INC.  
79 Amlajack Way  
Newnan, GA 30265

### **You must include the following:**

1. Proof of purchase (store receipt, etc.).
2. Brief note describing problem with gate.
3. Full return address along with phone number.

## **FOR FURTHER ASSISTANCE**

Call 1-800-318-3380

# CARDINAL GATES

If it's a Cardinal, It's the Best!

79 Amlajack Way  
Newnan, GA 30265  
770-252-4200  
[www.cardinalgates.com](http://www.cardinalgates.com)